

*Cimatron***E** 11

Upgrade your productivity | Upgrade your profitability | Upgrade your results
Upgrade to CimatronE 11!



Significant time savings, enhanced quality, and ease of use are the cornerstones of CimatronE 11, the advanced CAD/CAM solution from the Cimatron Group.

Building on Cimatron's 30 years of expertise in the field, the software offers exceptional value for mold and die makers and discrete part manufacturers with an array of technological and process-driven breakthroughs across the entire production process - from quoting and design through to NC programming and manufacturing.

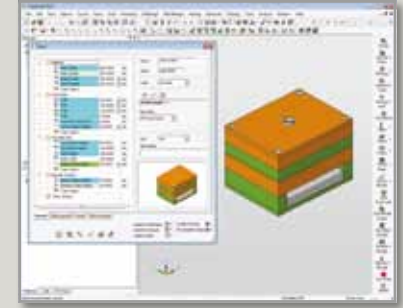
This booklet highlights some of the key innovations and benefits that make CimatronE 11 a 'must have' for any shop and machining facility looking to remain successful in a tough competitive market.

“CimatronE is helping us be more efficient, reduce manual labor, and get the work done more quickly throughout the design and manufacturing processes. Overall, we are about 25-30% more efficient than we used to be.”

Zelko Rezler,
Co-Owner and Engineering Manager,
Rezmin Tool & Die

Fast & effective CAD for tooling

- **Assembly Setup Improvements** – Significant time savings and enhanced standardization with a new tree structure, improved parameter definition, and automatic merge and recognition of imported assembly setup parameters.
- **Wall Thickness Analysis** – Early detection of product integrity issues with this new embedded analysis tool for color visualization of wall thickness.
- **Assembly Mirror** – Dramatic time savings with the ability to mirror entire assemblies or sub-assemblies while maintaining their structure.
- **Modeling** – Faster work and greater flexibility with new and enhanced features in solid and faces, including new extrude and cut functionalities, shadow taper, warp faces, enhancements to trim and split, and more.
- **Sketcher** – Enhanced user experience with automatic reference and clearer constraints on screen.
- **Drawing** – Faster creation of detailed drawings with new capabilities such as automatic center line and automatic hole and thread attributes.



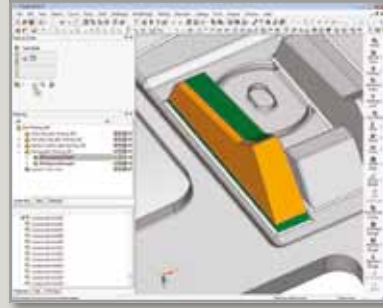
Assembly Setup with new tree structure and parameter control



Wall Thickness Analysis with advanced color visualization

Seamless, optimized mold design

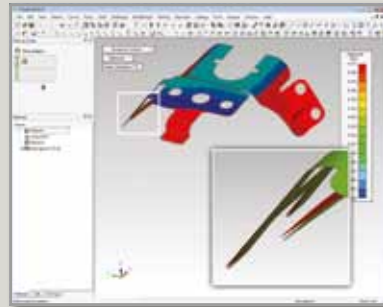
- **New ECO Application** – Highly effective assessment and seamless incorporation of any number of engineering changes into an existing model with the new ECO application.
- **Cap Internal Islands** – Dramatically reduced user design time with the fast creation of the internal parting surface.
- **Lifter Pocket** – Easy pocket creation for lifters during the parting design or tool design stages with the click of a button.
- **Cooling Design** – Speedy baffle creation, enhanced cooling channel design, and improved channel analysis.



Easy creation of internal parting surfaces with Cap Internal Islands

Flexible & intuitive die design

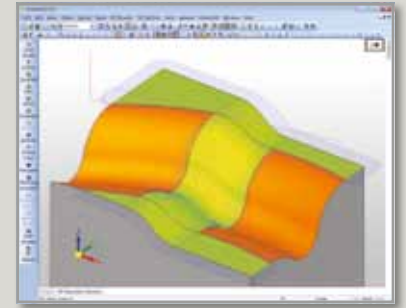
- **Flexible Die Environment** – User-friendly die design with a new combined environment for progressive and transfer die creation. A separate die tool design environment allows several transfer die designers to work concurrently.
- **Transfer Shapes** – Optimized material usage with this new nesting tool for transfer die production.
- **Springback Analysis** – Reduced need for time-consuming shop-floor iterations with this new analysis tool that estimates the springback after forming operations.



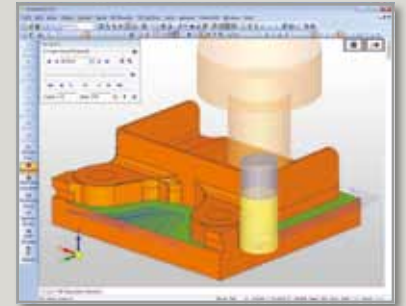
Showing the deformation with the Springback Analysis tool

Superior results with new machining strategies

- **Finish** – Enhanced programming automation and new capabilities for machining near a surface's edge.
- **Automated Drilling** – Drilling with confidence with gouge prevention while drilling and collision prevention during connections, as well as more flexible and powerful sequences for handling a wide range of holes.
- **Gun Drilling** – Increased drilling productivity and protection against tool strain with full control over all gun drilling sequences, and feed changes for intersected holes and machined pockets.
- **2.5-Axis** – Shorter machining time and longer tool life with the new **Pocket VoluMill** strategy for ultra high volume removal, and the pocket/profile automated machining of vertical walls of varying heights.
- **Rough VoluMill** – Shorter machining time and longer tool life with the new **Rough VoluMill** strategy for ultra high volume removal; supports holder collision prevention, 3D stock update, and advanced between layers calculations.



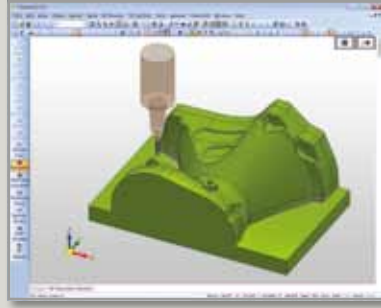
Toolpath extends smoothly beyond edges for superior surface quality



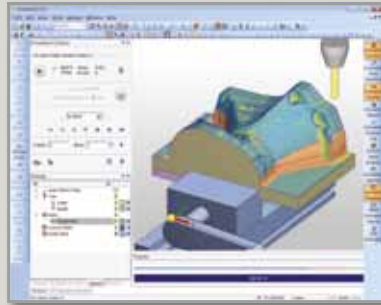
Shorter cycle time achieved with VoluMill toolpath

Quick & efficient NC programming

- **Programming Efficiency** – Includes: dynamic creation of UCS for 3+2 axis positioning; change cutter without recalculation; and improved mechanism to determine if a geometry change requires toolpath recalculation.
- **Indication of Unreachable Area Due to Holder.**
- **Material Removal Simulation** – Highly accurate results with a new embedded simulator.
- **NC on Assembly** – Dramatically reduced programming time with enhanced control over the selection and visibility of assembly components imported into NC.
- **Template Improvements** – Greater automation with more flexible and powerful templates that handle a wider range of NC operations.



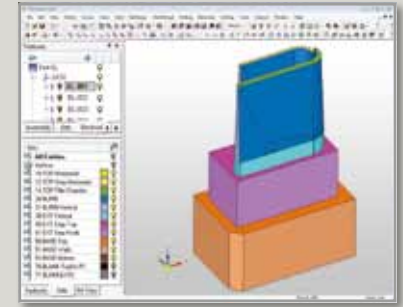
Preventing holder collision with a graphical indication of where the tool cannot reach



High quality material removal simulation embedded in a CimatronE window

Super fast electrode design & manufacturing

- **Visibility control on tree** – Enhanced visibility with centralized control over blank and holder appearance of all the electrodes included in the project.
- **Automatic Coloring** – Greater programming automation with coloring of electrode geometries and single-color set definition.
- **Finish Automation** – Highly automated options that address the special needs of electrode programming, such as the centralized path in finish parallel.



Electrode shown after automatic coloring

Enhanced performance and user experience

- **User Interface and Display** – Smarter and quicker maneuverability with a new Interactive Display-UCS offering better ZPR control, and a new browser look with tile view.
- **Improved Performance** – Up to 70% reduction in save times.
- **New Site Manager Tool** – Improved ability for IT administrators to manage and monitor their organization's installed CimatronE stations.
- **Export to 3D PDF** – Increased communication and collaboration with customers and affiliates with the ability to export parts and assemblies to 3D PDF for external review and comment.



Improved display and performance

About Cimatron

With over 30 years of experience and more than 40,000 installations worldwide, Cimatron is a leading provider of integrated CAD/CAM solutions for mold, tool and die makers as well as manufacturers of discrete parts. Cimatron is committed to providing comprehensive, cost-effective solutions that streamline manufacturing cycles, and ultimately shorten product delivery time.

The Cimatron product line includes the CimatronE and GibbsCAM brands with solutions for mold design, die design, electrode design, 2.5 to 5 axis milling, wire EDM, turn, mill-turn, rotary milling, multi-task machining, and tombstone machining. Cimatron's subsidiaries and extensive distribution network serve and support customers in the automotive, aerospace, medical, consumer plastics, electronics, and other industries in over 40 countries worldwide.

Cimatron is publicly traded on the NASDAQ exchange and TASE under the symbol CIMT.

For more information, please visit: www.cimatron.com